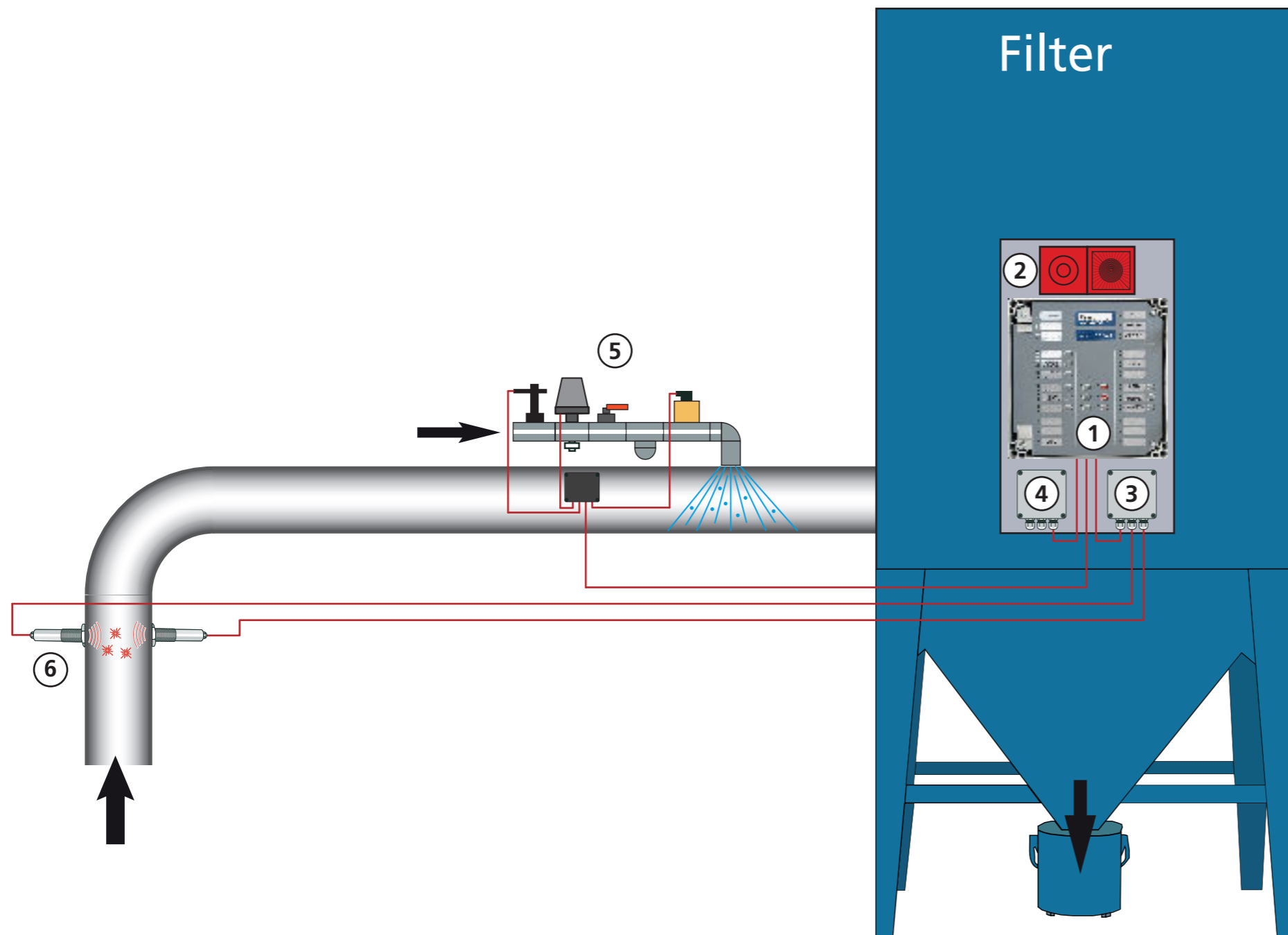


Fire prevention for mobile dust extractors

Ready-to-connect ignition prevention system according DIN EN 16770



www.tbelectronic.eu



- ① Control unit SEC-1 (power supply 230 V)
- ② Alarm devices (Horn and flash light)
- ③ Connection box for spark detectors
- ④ Connection box for customer-side shutdowns
- ⑤ Automatic extinguishing system, infeed 3 bar, 60 l/min, DN25
- ⑥ Spark detectors, Cable length 10 m

Minimum distance between spark detectors and automatic extinguishing system at max. air speed of 20 m/s:

DN100 -> 1,50 m

DN200 -> 1,85 m

DN300 -> 2,20 m

DN400 -> 2,60 m

Distances for further air speeds on request.